

Fan



profim



Piotr Kuchciński
Product Designer



Many forms of unique design.





Matching style

Armchairs from the Fan collection both highlight modern character of an office and add a lighter feel to the entire room. Inviting shell form of the chair encourages people to open up and exchange creative ideas. With optional wooden legs, Fan armchairs bring to mind Scandinavian design.



From the left: 10Z, 10F, 10HC, 10V, 10R, 20V, 10H, 10HW.



Distinct and versatile

Unmistakable lines and subtle elegance of Fan armchairs and sofas work perfectly in offices and less formal spaces alike. For enhanced comfort, the shell is made of soft profiled foam.





The beauty of contrast

With contrasting stitching, the light form of Fan furniture comes to the front. This feature also adds a modern touch to the collection.



Office functionality

Not only do Fan armchairs have unique design – they also come with functions and mechanisms one would expect of office chairs.



Memory return

Both the 4-star (F) and the round (R) base are equipped with shock absorbers with a memory-return function. It enables the chair to automatically return to the basic position when not in use.



Economic Mechanism

Swivel chair with Economic (E) mechanism for adjusting the height of the seat.



Rocker Mechanism

Adjusting the height and the angle of inclination of the seat, with the possibility of blocking in upright position. Tilting the shell forwards eliminates pressure on thighs.

Configure your product

When ordering, please use code symbols.

Fan



Shell

Frame / Base



Armchair

10



4-legged

H



Swivel, 4-legged

HS



2-seat sofa¹

20



Swivel, 4-star base

F



Cantilever

V



Swivel, round base

R

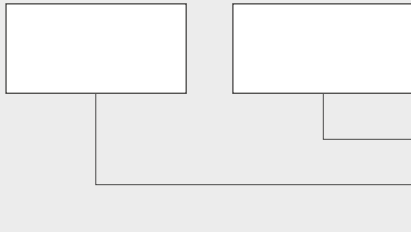


Swivel, 5-star base
with Economic mechanism

E

¹ Available only in V version.

² Available for sale in the third quarter of 2017.



Frame / base colour

Upholstery

Type & colour

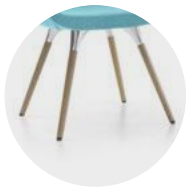
SYMBOL

Additional



4-legged with castors

HC



Wooden legs

HW



Swivel, 5-star base
with Rocker mechanism

Z²



BLACK³



METALLIC⁴



CHROME⁵



SATINE⁶

Lacquer⁷



H5



H6



H7



H8



H11



H12

³ Not applicable for F, R, HW versions.

⁴ Not applicable for F, HW versions.

⁵ Not applicable for HW version.

⁶ Not applicable for HW version.

⁷ Applicable for HW version.



HARD

For soft floors.



SOFT

For hard floors.



DECORATIVE¹⁰

Universal.



TEFLON

Universal.

Castors are equipped with a brake that prevents the chair from "moving away" without a load.



Threads in the same colour as upholstery.



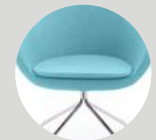
Contrast threads.

Gaslift with memory,
without height adjustment

Standard: applicable for R version.
Option: applicable for F version.



Seat cushion¹¹



⁸ Applicable for HC, E, Z versions.

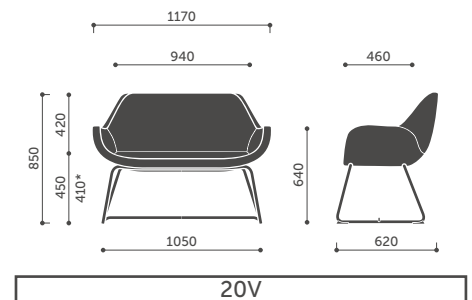
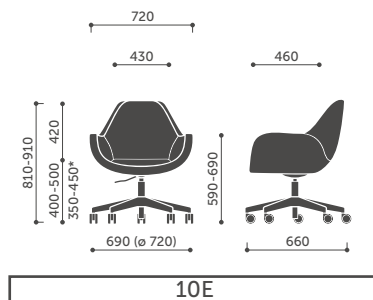
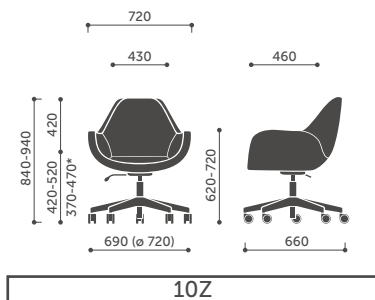
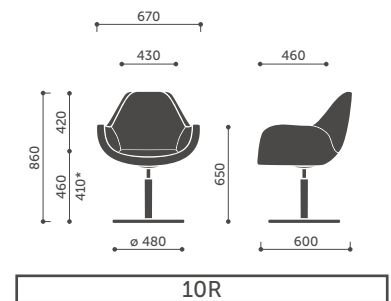
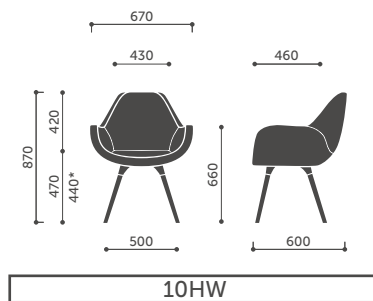
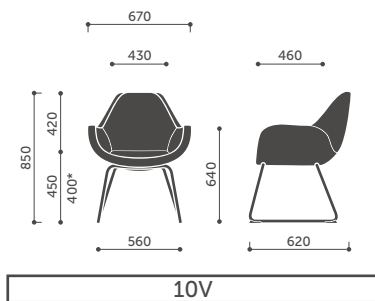
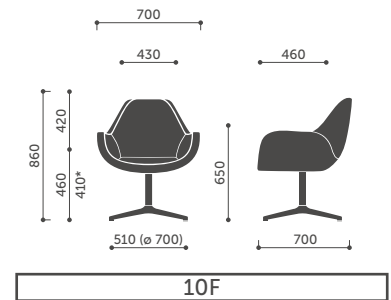
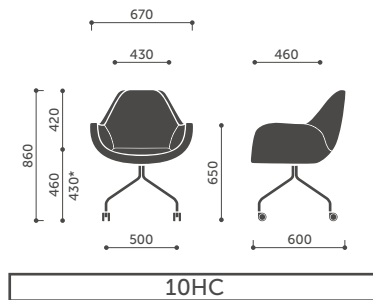
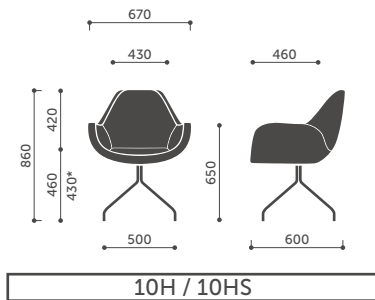
⁹ Applicable for E, Z versions.

¹⁰ Applicable for HC version.

¹¹ Not applicable for 20V version.

Measurements

The measurements are approximate and can differ depending on the product configuration.
 Measuring methodology is available at this link: www.profim.eu/Measuring_methodology.pdf

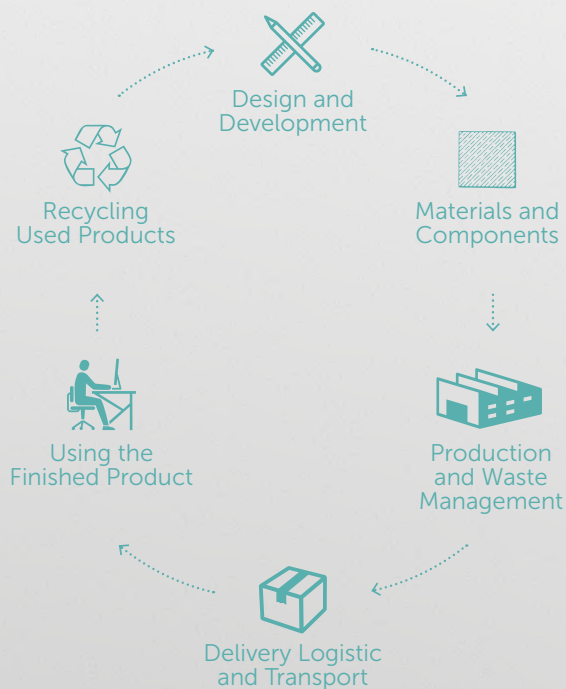


* Seat height is measured according to PN EN 16139 norm (with seat burden).

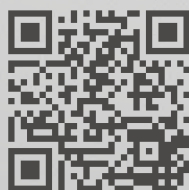
Profim and the Environment

In our operation we follow the sustainability principle. We operate in a responsible manner for the benefit of our customers, employees, suppliers, and the local community, but we always respect the environment.

In order to achieve our goals, we have implemented Environmental Management System based on the ISO 14001 standard, which allows for a comprehensive approach to ecology. We take into consideration and evaluate the way Fan products affect the environment during their entire life cycle.



For more information about the product please scan the QR code.



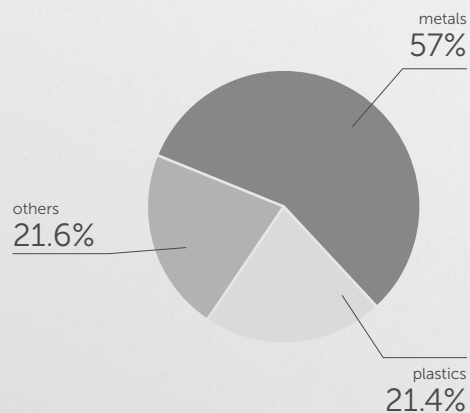
Fan

Product Environmental Information

(for Fan 10HW)

Materials used:

Metals	kg	%
Steel	4.38	43.5
Aluminium	1.36	13.5
Plastics	kg	%
Polyurethane (PUR)	2.16	21.4
Others	kg	%
Upholstery	1.22	12.1
Wood	0.96	9.5
Weight	10.08	100.0



This product contains no chemical compounds harmful to human health or the environment (including PVC, chromium (VI), mercury or lead).

www.profim.eu

The producer reserves the right to conduct construction changes and improvements of the products.
Colours presented in the catalogue may vary from the original colours of furniture.



CHROMIUM (III)
Eco-Friendly Technology

CHROM (III)
Umweltfreundliche
Technologie

